



OP7361 DATASHEET

8X SFP Carrier

Published by

Opal-RT Technologies, Inc. 1751 Richardson, suite 2525 Montreal, Quebec Canada H3K 1G6

www.opal-rt.com

CONTENTS

OP7361 8X SFP CARRIER..... 5

- DESCRIPTION 5
 - FEATURES.....5
- INSTALLATION 5
- STATUS DISPLAY 6
 - CONNECTORS6
 - TYPICAL CHANNEL DIAGRAM.....7
- SPECIFICATIONS 7

OP7361 8X SFP CARRIER

DESCRIPTION

The OP7361 is designed to fit in the front of the OP7000 chassis. The OP7361 is an 8xSFP carrier to be inserted on the front of the OP7000. This board is installed in a secondary FPGA slot and uses available high speed links to communicate externally. An SFP (Small Form-factor Pluggable) module is a compact, hot-pluggable transceiver used for both telecommunication and data communications.

SFP transceivers are available with a variety of transmitter and receiver types, allowing users to select the appropriate transceiver for each link to provide the required optical reach over the available optical fiber type (e.g. multi-mode fiber or single-mode fiber).

The OP7361 Carrier is compatible with :

- SFP multi-mode fiber only,
- SFP that can run up to 4 Gbps with available bitrate of: 1, 1.25, 2, 2.5, 4, 5 Gbps.

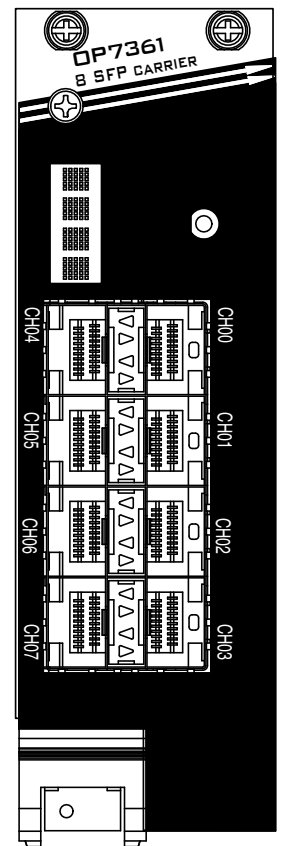
FEATURES

- Status display, with push-button control
- 8 fiber optic connectors.

INSTALLATION

The OP7361 module must be inserted at the front of the OP7000 simulator, in an odd numbered slot, making sure that the board is properly aligned using the guide tracks before pressing into place.

Make sure that the board corresponds to the compatible board at the rear of the chassis.



TYPICAL CHANNEL DIAGRAM

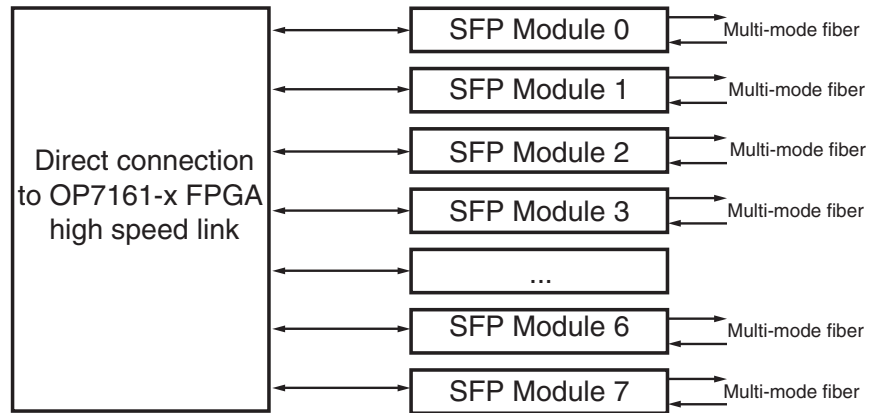


Figure 25: Channel diagram

SPECIFICATIONS

Product name	OP7361
Part number	126-0445
Product type	OP7000 8-SFP carrier board
Dimensions	Board: (connectors excluded) 16 x 10 cm (6.3 in x 4 in) Plate: 12.87 x 4.03cm (5.06 x 1.59in)
Operating temperature	10 to 40 °C (50 to 104°F)
Storage temperature	-55 to 85°C (-67 to 185°F)
Relative humidity	10 to 90%, non condensing
Maximum altitude	2,000 m (6562 ft.)

CONTACT

Opal-RT Corporate Headquarters

1751 Richardson, Suite 2525
Montréal, Québec, Canada
H3K 1G6
Tel.: 514-935-2323
Toll free: 1-877-935-2323

Technical Services

www.opal-rt.com/support

Note:

While every effort has been made to ensure accuracy in this publication, no responsibility can be accepted for errors or omissions. Data may change, as well as legislation, and you are strongly advised to obtain copies of the most recently issued regulations, standards, and guidelines.

This publication is not intended to form the basis of a contract.



**DS13-09059-OP2
06/2013**

© OPAL-RT Technologies Inc.